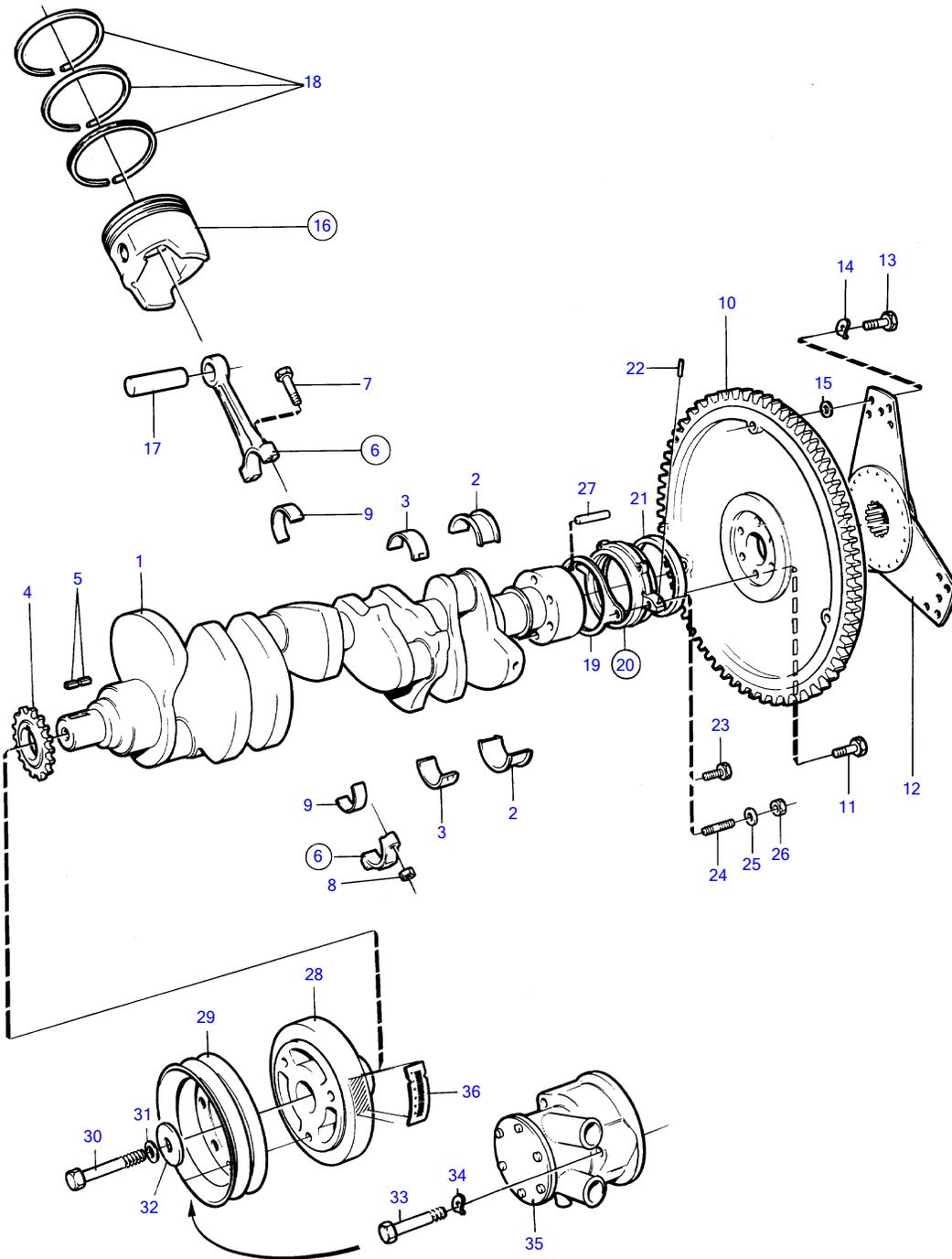


570A, 572A



10414

570A, 572A

REF	PART NO.	QTY	DESCRIPTION	SEE SEC.	NOTES
1	855830	1	Crankshaft		
2	856439	1	Thrust bearing		Std (835052)
	856666	1	Thrust bearing		Under size 0,010" (83505)
	856765	1	Main bearing		Under size 0,020" (83506)
3	856739	6	Main bearing		Std (835051)
	841254		• Main bearing, main bearing shell		Std, Repl by 856739 Upper
	841255		• Main bearing, main bearing shell		Std, Repl by 856739 Lower
	856342	6	Main bearing		Under size 0,010" (83505)
	856764	6	Main bearing		Under size 0,020" (83505)
4		1	sprocket	12458	
5	835059	2	Key		
6	841867	8	Connecting rod		
7	835066	16	• Screw		
8	856588	16	• Nut		
9	856669	8	Rod bearing		Std (835273)
	856740	8	Main bearing		Under size 0,010" (83539)
	856738	8	Rod bearing		Under size 0,020" (83507)
10	855814	1	Flywheel		570A, SN-4100133659
	857223	1	Flywheel		570A, SN 4100133660-
	857223	1	Flywheel		572A, SN 4100133257-
11	835439	6	Screw		(855815)
12	855694	1	Absorber		570A, SN-4100133659
	855656	1	Oscillation damper		Obsolete part, 570A, SN 4100133660-
	855656	1	Oscillation damper		Obsolete part, 572A, SN 4100133257-
13	835482	3	Screw		
14	942336	3	Spring washer		
15	940097	3	Washer		
16	856827	8	Piston		Std (856079)
			Bulletin P-21-0-11	P-21-0-11-EN	Longblock Guidelines, early 5.7L
16	856828	8	Piston		Over size 0,030" (865379)
17			• piston pin		
18	857240	8	Piston ring		Std
	857241	8	Piston ring		Over size 0,030"
19	855810	1	Gasket		
20	855907	1	Retainer		
21	855809	1	• Crankshaft seal		
22	855808	2	• Stud		
23	855811	2	Screw		L=20mm
	855812	1	Screw		
24	855813	1	Stud		
25	955893	1	Washer		
26	955825	1	Hexagon nut		
27	835057	1	Pin		
28	856420	1	Vibration damper		
29	835407	1	Pulley		
30	949518	1	Hexagon screw		
31	(835410)	1	Lock washer		Obsolete part
32	835409	1	Washer		
33	948324	3	Hex. socket screw		
34	942336	3	Spring washer		
35	841640	1	Sea water pump		See group 2B
36	(856019)	1	Decal		Obsolete part, 570A

7736260-21-12451

10414

Upd:2014-10-28